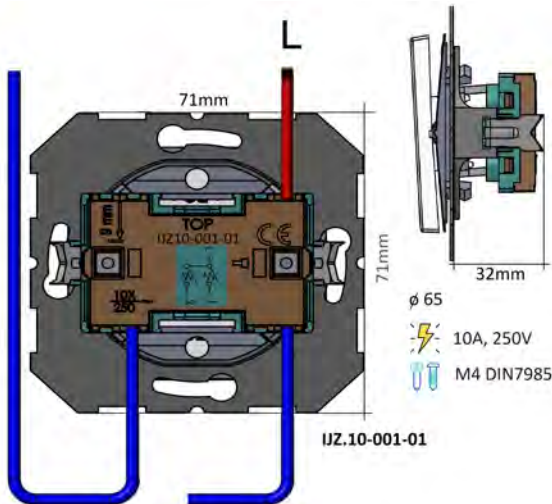
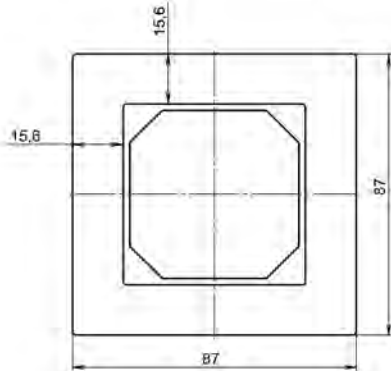
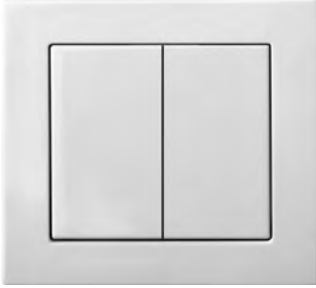


Product data sheet

2-gang push button switch, 1-pole, 1-way



Reference number

IJZ.10-001-01

Flush mount 2-gang switch button, 1-pole, 1-way 10A/250V~, without frame

1 pole  
screw terminals (M4), for wires up to 2.5 mm<sup>2</sup>

Intended use

- dept ~32mm
- installation in flush box according to DIN 49073
- operation with suitable cover

Centre plates colour, EAN code:

- IJZ.10-001-01.E/B - White, 4770025869543, 10pc. 4770025870037
- IJZ.10-001-01.E/S - Sandy, 4770025870525, 10 pc. 4770025870990
- IJZ.10-001-01.E/R - Brown, 4770025862315, 10pc. 4770025002513
- IJZ.10-001-01.E/Mt - Metallic, 4770025857601, 10pc. 4770025002506
- IJZ.10-001-01.E/J - Black, 4770025853184, 10pc. 4770025002490
- IJZ.10-001-01.E/Ch - Champagne, 4770025850107, 10pc. 4770025002483

Technical specifications:

Input voltage, frequency	AC 250 V~ (+- 10%), 50/60 Hz
Switching current	10A
Ambient temperature	-5 ... +35 °C
Storage/transport temperature	-20 ... +40 °C
Connection	screw terminals
4mm screw tightening torque max 1,2Nm	according to standart 884-1 IEC:1994

Centre plates material

breakproof polycarbonate (PC), high gloss

Standarts

RoHS- Directive 2011/65/EU

Custom tarrif number

8536500700